

EQUI-TREK®

EQUI-TREK®



Weights and Dimensions

External Dimensions:

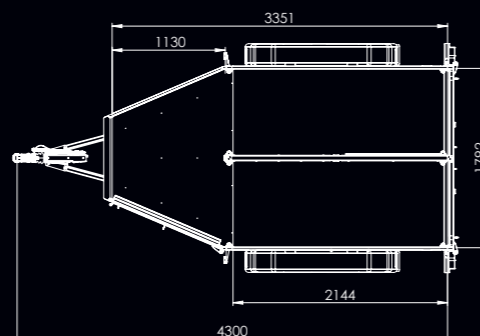
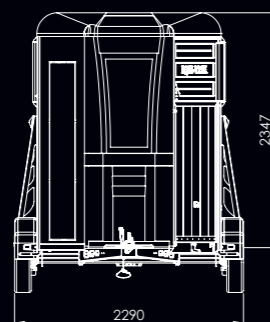
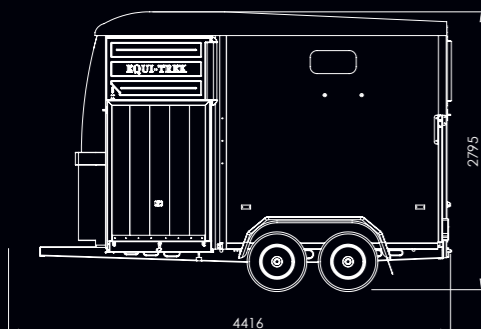
Length: 4416mm
Width: 2290mm
Height: 2795mm

Approx. Weight:

Unladen Weight: 845kg*
Axle 1: 1350 kg
Axle 2: 1350 kg
Gross Weight: 2000kg

Approx. Weight:

Unladen Weight: 855kg*
Axle 1: 1350 kg
Axle 2: 1350 kg
Gross Weight: 2600kg



Please note some images may show optional extras not included as part of the base specification.
*Plan view shows internal dimensions



Apollo



0114 288 4411 • sales@equi-trek.com • www.equi-trek.com

0114 288 4411 • sales@equi-trek.com • www.equi-trek.com

Equi-Trek Apollo

The Equi-Trek Apollo is a stunning trailer unrivalled for its strength and performance.

Manufactured in the UK following two years of design and testing, the trailer encompasses cutting-edge engineering techniques and superior materials for a wood free, lightweight model to transport horses in safety and style.

Leaders in innovative horse transport, Equi-Trek launched the Apollo following demand for a great value trailer that combines strength with functionality and puts horse welfare and safety at the forefront of its design.

The Apollo underwent rigorous testing in Germany which included simulating a full life cycle of being driven. The durability and strength is outstanding and the result of the engineering and design is one of the strongest trailers on the market.

The eye-catching aerodynamic trailer creates a spacious and light horse area with exceptional headroom to accommodate horses up to 18hh. Horses travel forward facing and are unloaded with ease using the extra wide front ramp.

Featuring aluminium flooring and ramps with a durable rubber finish, the hard-wearing trailer maintains the popular Equi-Trek aesthetic to ensure the Apollo stands out.

Both the rear and front ramp are easy to operate thanks to their lightweight design and the closing fixtures that glide securely in to place. A window on each side of the trailer provides excellent ventilation and the top doors can be fixed back securely when opened.

The Apollo has removable breast bars which can also be collapsed from the outside of the trailer in case of an emergency, a strong central partition and removable breech bars. The back portion of the partition can be moved for loading giving the horse a wide and inviting space to move into.

Horse Area

- Partition with PVC Skirt to Floor
- Composite High Impact Kick Boards
- Composite Panels
- Collapsible Breast Bar
- Side Windows
- Two Horse and Haynet Tie Rings
- Light and Spacious Interior
- Slip Resistant Rubber Ramp
- Strong Aluminium Plank Floor



Main Body

- Aerodynamic Fibreglass Mould
- Galvanised Steel Chassis
- Independent Suspension
- Four Fully Braked Wheels
- Built in ISO9001 Factory
- Rear Loading Front Ramp
- Self Colour White as Standard, Other Colours Available at Extra Cost

