



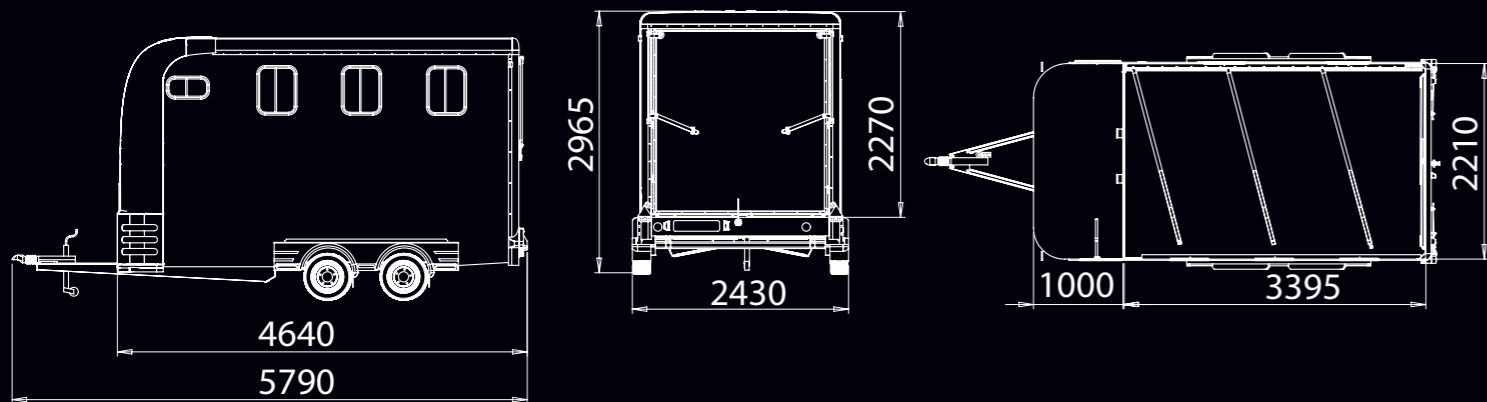
### Weights and Dimensions

**External Dimensions:**

Length: 5790mm  
 Width: 2430mm  
 Height: 2965mm

**Approx. Weight:**

Unladen Weight: 1500kg\*  
 Axle 1: 1800kg  
 Axle 2: 1800kg  
 Gross Weight: 3500kg



Please note some images may show optional extras not included as part of the base specification.  
 \*Plan view shows internal dimensions



## Space-Treka III

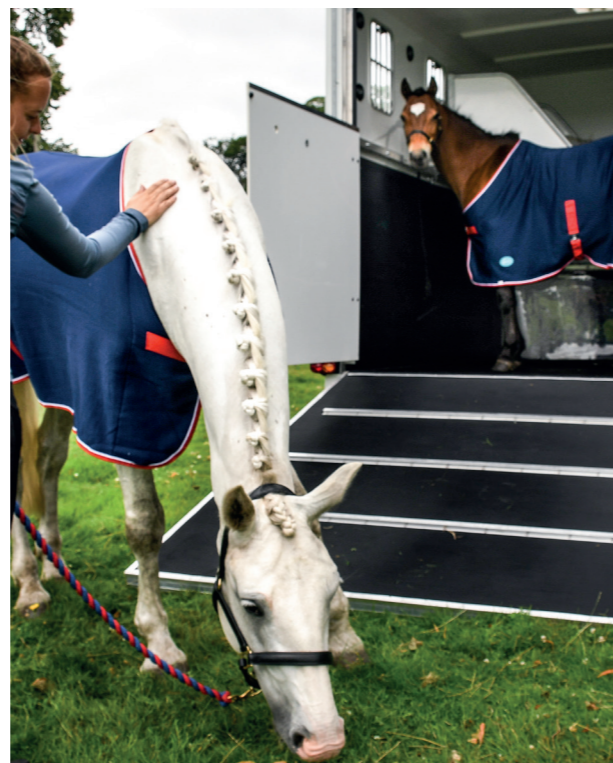


# Equi-Trek Space-Treka III

The Space-Treka III carries up to three horses or four ponies (depending on size and weight) whilst remaining compact and easy to tow.

The totally separate tack and changing area provides ample space for all your equipment, making show days so much more enjoyable.

The horses travel herringbone as in larger horseboxes, and load with ease up the low and wide, rear ramp. The standard safety loading doors guide the horses up the ramp for additional safety.



## Horse Area

- Self-Contained Horse Area
- Composite High Impact Kick Boards
- Composite Panels
- Groom's Door Between Horse Area and Living Area
- Light and Spacious Interior
- One Interior Light
- Slip Resistant Rubber Ramp
- Strong Aluminium Plank Floor
- Three Adjustable Partitions with Intergrated Head Dividers
- Three Horse and Haynet Tie Rings
- White Easy Clean Safety Loading Doors
- Skylight Roof Vent



## Main Body

- Aerodynamic Fibreglass Mould
- Galvanised Steel Chassis
- Lockable Coupling
- Independent Suspension
- Four Fully Braked Wheels
- Built in ISO9001 Factory
- Three External Tie Rings
- Self Colour White as Standard, Other Colours Available at Extra Cost



## Tack/Changing Area

- Easy Clean Cushion Flooring
- Living Area Door
- One Interior Light
- Three Saddle and Bridle Racks
- Three Coat Hooks
- Opening Window

